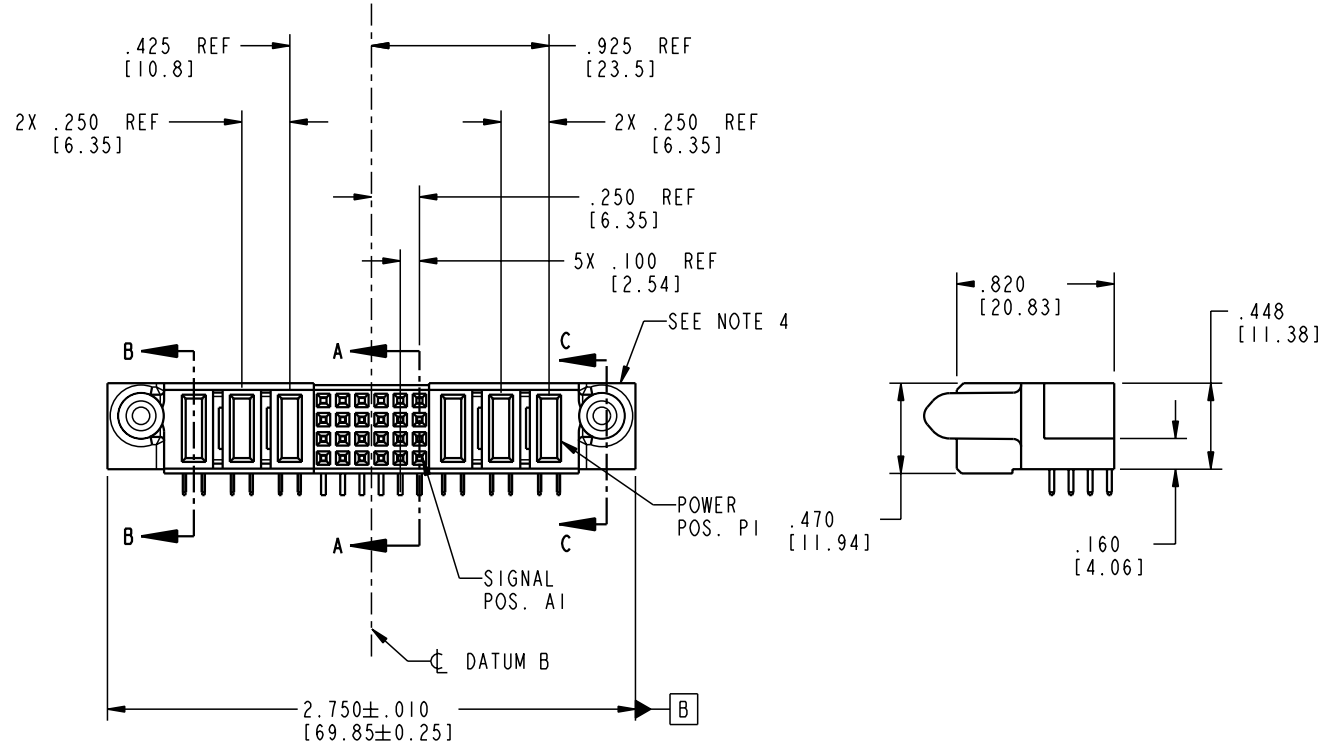


Tous droits strictement réservés. Reproduction ou communication o des liens interdite sous quelque forme que ce soit sans autorisation écrite du propriétaire. Propriete de c FCI. Droits de reproduction FCI.

All rights strictly reserved. Reproduction or issue to third parties in any form whenever is not permitted without written authority from the proprietor. Property of FCI. Copyright FCI.

PRODUCT NO.	ROWS	POWER			SIG					POWER			E1			
		E2	P6	P5	P4	6	5	4	3	2	1	P3		P2	P1	
51760-10302403AB	D C B A		PA	PA	PA	H	H	H	H	H	H	H	PA	PA	PA	



CODE	DIM "M" MATING LENGTH	CONTACT TYPE
E	N/A [N/A]	SIGNAL
F	N/A [N/A]	SIGNAL
G	N/A [N/A]	SIGNAL
H	N/A [N/A]	SIGNAL
PA	.042 [1.07]	POWER

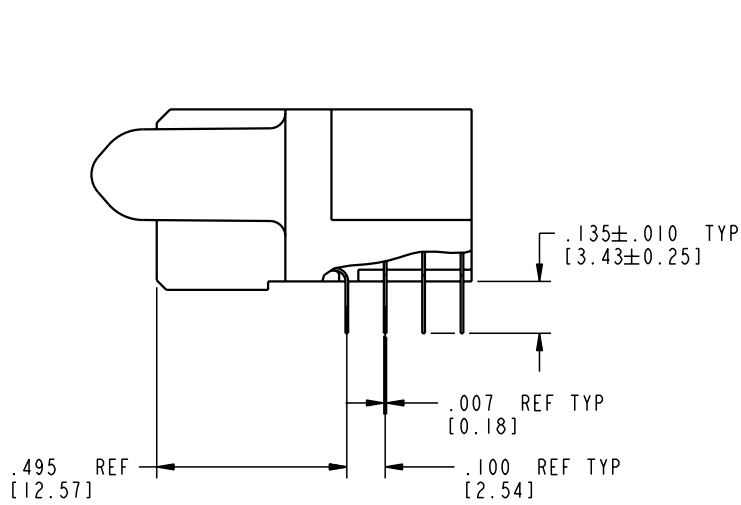
mat'l code SEE NOTE 2				tolerances unless otherwise specified		CUSTOMER			
ltr	ecn no.	dr	date	linear	.XX±.01/0.X±0.3	COPY		www.fciconnect.com	
A	V21729	CGD	11/04/02	projection	.XXX±.005/0.XX±0.13	INCH/MM		title 3P + 24S + 3P	
				angles	.XXX±.0020/0.XXX±0.051	scale 1:1		R/A SOLDER RECEPTACLE	
				dr	C. DAILY 11/04/02	product family PwrBlade		code 213	
				engr	M. MOSTOLLER 11/04/02	size		sheet 1 of 4	
				chr	M. MOSTOLLER 11/04/02	dwg no		A 51760-10302403AB	
				appd	M. MOSTOLLER 11/04/02	cage code		22526	
sheet index	revision sheet	A	A	A	A				
		1	2	3	4				

Pro/E 3 cage code 22526 4

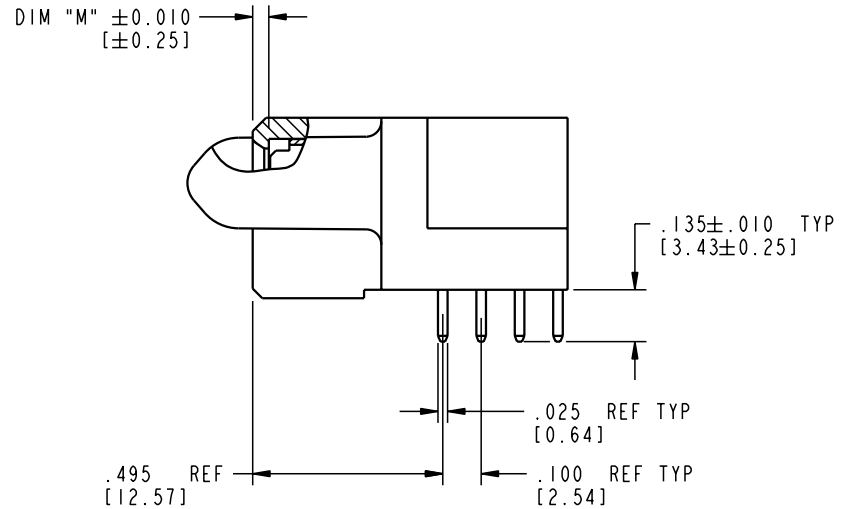
Tous droits strictement réservés. Reproduction ou communication o des liens interdite sous quelque forme que ce soit sans autorisation écrite du propriétaire. Propriété de c FCI. Droits de reproduction FCI.

All rights strictly reserved. Reproduction or issue to third parties in any form, whatever is not permitted without written authority from the proprietor. Property of FCI. Copyright FCI.

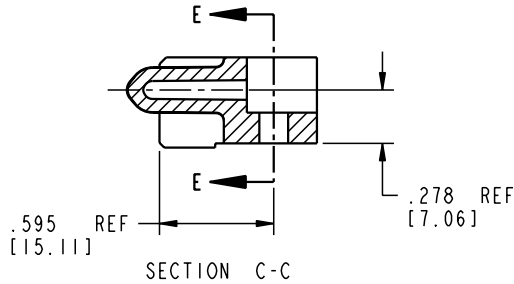
PRODUCT NUMBER
51760-10302403AB



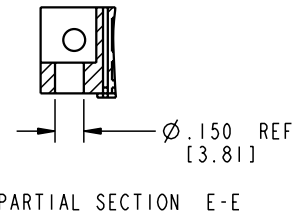
BROKEN-OUT SECTION A-A
SCALE 2:1



BROKEN-OUT SECTION B-B
SCALE 2:1



SECTION C-C



PARTIAL SECTION E-E

mat'l code				SEE NOTE 2		tolerances unless otherwise specified		CUSTOMER		 www.fciconnect.com	
ltr	ecn no.	dr	date	linear	.XX ± .01/0.X ± 0.3		COPY		 INCH/MM	title	
A					.XXX ± .005/0.XX ± 0.13		projection			3P + 24S + 3P	
					.XXX ± .0020/0.XXX ± 0.051		 scale			R/A SOLDER RECEPTACLE	
				angles	0° ± 2°		dr		product family		
							C. DAILY		PwrBlade		
							11/04/02		code		
							11/04/02		213		
							11/04/02		size		
							11/04/02		dwg no		
							11/04/02		A 51760-10302403AB		
sheet index		revision sheet								sheet	
										2 of 4	

Pro/E

cage code 22526

PDM: Rev:A

STATUS: Released

Printed: Aug 14, 2007

Tous droits strictement réservés. Reproduction ou communication o des tiers interdite sous quelque forme que ce soit sans autorisation écrite du propriétaire. Propriété de c FCI. Droits de reproduction FCI.

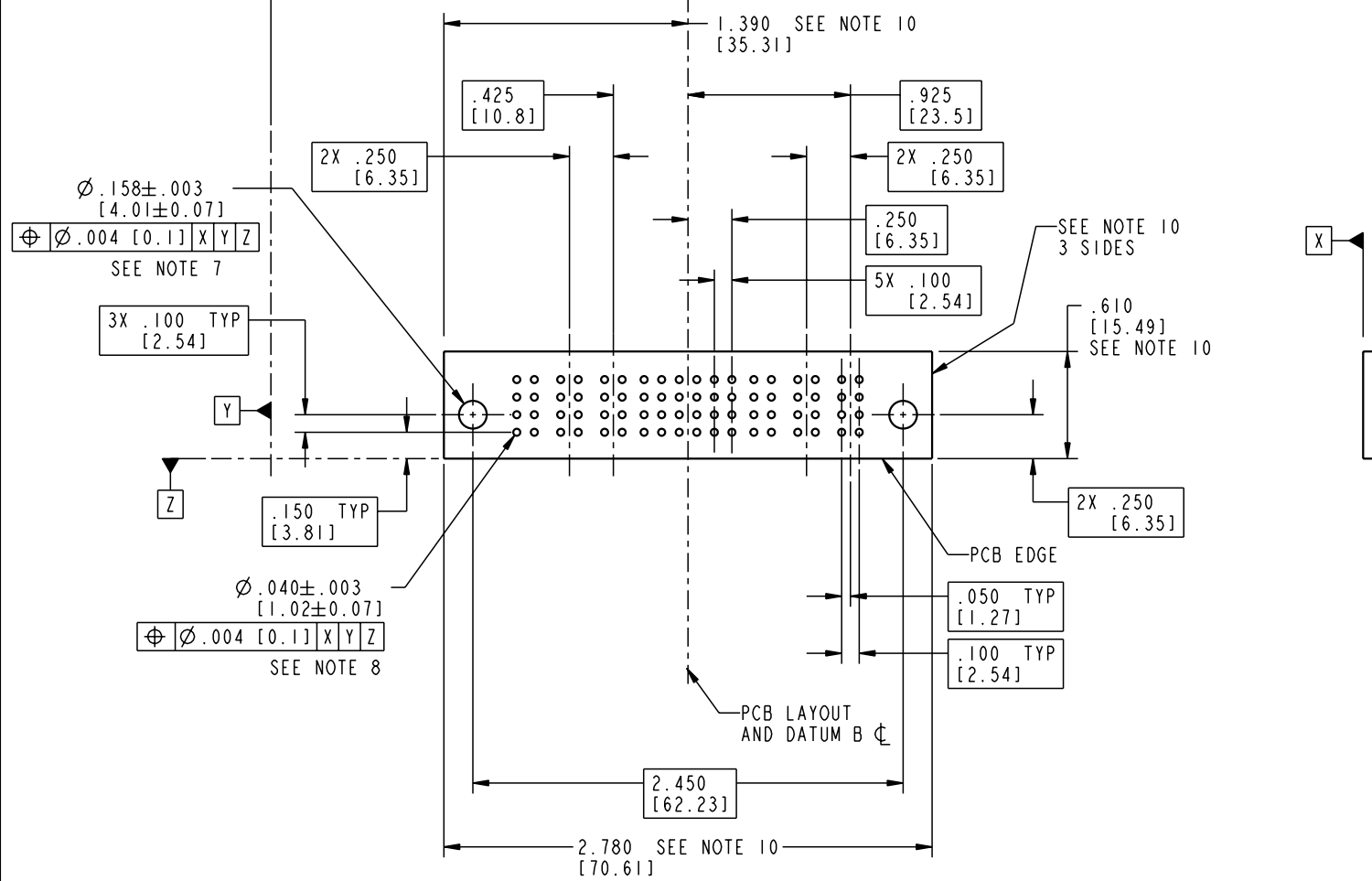
All rights strictly reserved. Reproduction or issue to third parties in any form whatever is not permitted without written authority from the proprietor. Property of FCI. Copyright FCI.

PRODUCT NUMBER
51760-10302403AB

1 | 2

3 |

4



mat'l code				SEE NOTE 2		tolerances unless otherwise specified		CUSTOMER		 www.fciconnect.com	
ltr	ecn no.	dr	date	linear	.XX±.01/0.X±0.3	projection		COPY		title	
A				angles	.XXX±.005/0.XX±0.13					3P + 24S + 3P	
				dr	.XXX±.0020/0.XXX±0.051					R/A SOLDER RECEPTACLE	
				enr	0° ± 2°	INCH/MM		product family		code	
				chr		scale		PwrBlade		213	
				appd		1:1		size		sheet	
sheet index		revision sheet						A 51760-10302403AB		3 of 4	

1 | 2

Pro/E

3 |

cage code 22526

4

Tous droits strictement réservés. Reproduction ou communication o des tiers interdite sous quelque forme que ce soit sans autorisation écrite du propriétaire. Propriété de c FCI. Droits de reproduction FCI.

A
FCI

All rights strictly reserved. Reproduction or issue to third parties in any form whatever is not permitted without written authority from the proprietor. Property of FCI. Copyright FCI.

B

PRODUCT NUMBER
51760-10302403AB

NOTES:

1. DIMENSIONS AND TOLERANCES ARE IN ACCORDANCE WITH ASME Y14.5M, 1994 UNLESS OTHERWISE SPECIFIED.

CONNECTOR NOTES:

- 2. HOUSING MATERIAL: UL 94 V-0 GLASS FILLED
HIGH-TEMP THERMOPLASTIC
POWER CONTACT MATERIAL: COPPER ALLOY
SIGNAL PIN MATERIAL: COPPER ALLOY
- 3. PLATING:
SIGNAL PINS: 30u"/0.76um Au OVER 50u"/1.27um Ni
POWER CONTACTS: 50u"/1.27um Ni UNDER ALL WITH 30u"/0.76um Au ON CONTACT AREA AND SnPb ON PCB INTERFACE
- 4. MANUFACTURER'S NAME, P/N, AND DATE CODE TO APPEAR ON THIS SURFACE.
- 5. PRODUCT SPECIFICATION GS-12-149.
APPLICATION SPECIFICATION BUS-20-067.

PCB NOTES:

- 6. ALL HOLE DIAMETERS ARE FINISHED HOLE SIZE.
- 7. MOUNTING HOLES, WHERE APPLICABLE, ARE UNPLATED.
- 8. $\varnothing .0453 \pm .0010$ [1.151 \pm 0.025] DRILLED HOLES PLATED WITH .0003 [0.008] MIN SnPb OVER .001 [0.03] TO .003 [0.08] Cu PLATING TO ACHIEVE $\varnothing .040 \pm .003$ [1.02 \pm .07] HOLE.
- 9. "DIM XXX" TO BE DETERMINED BY THE CUSTOMER.
- 10. CONNECTOR KEEP-OUT ZONE.

mat'l code		SEE NOTE 2		tolerances unless otherwise specified		CUSTOMER		A FCI www.fciconnect.com	
ltr	ecn no.	dr	date	linear	.XX±.01/0.X±0.3	COPY		title	
A				linear	.XXX±.005/0.XX±0.13	projection		3P + 24S + 3P	
				angles	.XXX±.0020/0.XXX±0.051			R/A SOLDER RECEPTACLE	
				dr	C. DAILY 11/04/02	INCH/MM		product family	
				enr	M. MOSTOLLER 11/04/02	scale		PwrBlade	
				chr	M. MOSTOLLER 11/04/02	1:1		code	
				appd	M. MOSTOLLER 11/04/02			213	
sheet index		revision sheet						size	
								dwg no	
								A 51760-10302403AB	
								sheet	
								4 of 4	

A

B

1 | 2

3 |

4

1 | 2

Pro/E

3 |

cage code 22526

4

PDM: Rev:A

STATUS: **Released**

Printed: Aug 14, 2007